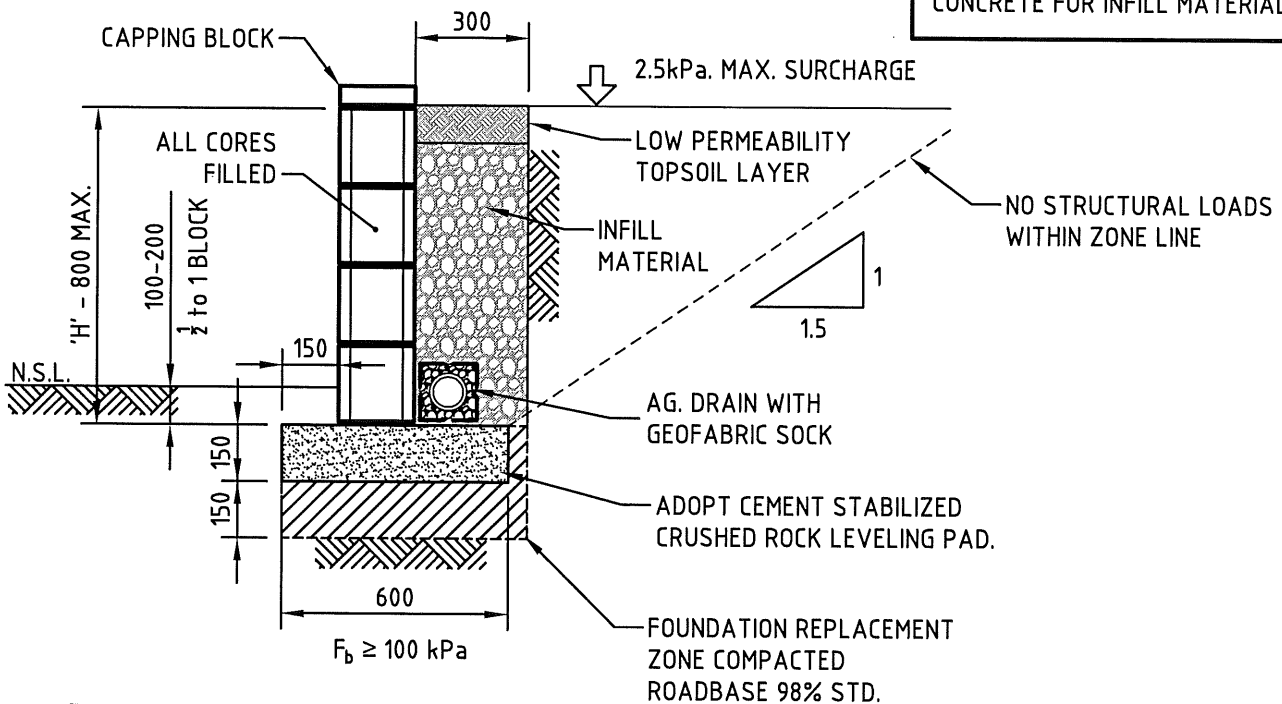


RETAINING WALL DETAIL
1200mm MAX.
 SCALE 1: 20

INFILL MATERIAL:
 COMPACTED FREE DRAINING
 GRANULAR MATERIAL:
 $\phi = 37^\circ$
 $\gamma = 19\text{kN/m}^3$
 WHERE 'H' $\geq 800\text{mm}$ ADOPT NO FINES
 CONCRETE FOR INFILL MATERIAL.



RETAINING WALL DETAIL
800mm MAX.
 SCALE 1: 20

DWG. No.:	Rev.	Drawn:	JEC
S2	B	Date:	8-9-14
JOB No.:		Scales:	AS SHOWN
14.573		Approved:	<i>[Signature]</i>

BCP CORNER BLOCK
 RETAINING WALL
 BATHURST
 BCP PRODUCTS

CALARE GMI
 CONSULTING ENGINEERS
 170 RANKIN STREET,
 BATHURST, N.S.W. 2795
 Tel: (02) 63323343 Fax: (02) 63318210